



TECHNICAL DATA

MASSES

| | |
|--|----------|
| Operating mass (incl. ROPS, without ballast) | 10600 kg |
| Max. operating mass (incl. ROPS, ballasted) | 12800 kg |
| Max. front module mass (incl. ROPS, ballasted) | 6700 kg |
| Max. rear module mass (incl. ROPS, ballasted) | 6100 kg |

COMPACTION

| | |
|--|-------------|
| Static linear load (incl. ROPS, w/o ballast), front | 50.10 kg/cm |
| Static linear load (incl. ROPS, w/o ballast), rear | 46.10 kg/cm |
| Max. static linear load (incl. ROPS, ballasted), front | 58.80 kg/cm |
| Max. static linear load (incl. ROPS, ballasted), rear | 57.50 kg/cm |
| Rolling width | 2100 mm |
| Drum overlap | 50 mm |
| Water tank | 525 l |

TRACTION

| | |
|-------------------------|----------------------|
| Type | Articulated steering |
| Turning radius, inside | 3700 mm |
| Turning radius, outside | 5800 mm |
| Vertical oscillation | ±9° |
| Transport speed | 0-15 km/h |
| Working speed | 0-10 km/h |

ENGINE

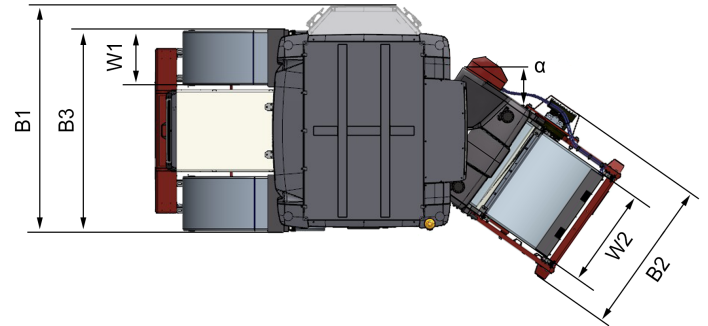
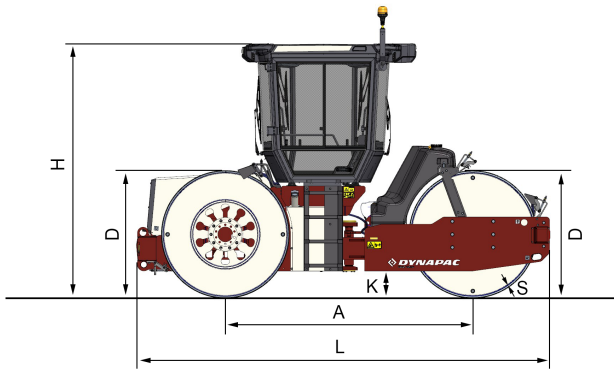
| | |
|------------------------|---------------------------|
| Manufacturer/Model | Deutz TD 3.6 L4 V/T4F |
| Type | Water cooled turbo Diesel |
| Rated power, ISO 14396 | 55 kW (74 hp) @ 2200 rpm |
| Fuel tank capacity | 110 l |

HYDRAULIC SYSTEM

| | |
|--------------------------------|---|
| Driving | Axial piston pump with variable displacement. 3 axial piston motors, 2 with variable displacement. |
| Steering | Gear pump with constant displacement. |
| Service brake | Hydrostatic in forward and reverse lever. |
| Parking/ Emergency brake | Failsafe multidisc on all 3 drums. |

Find us locally at www.dynapac.com

We reserve the right to change specifications without notice. Photos and illustrations do not always show standard versions of machines. The above information is a general description only, all information's are supplied without liability.



DIMENSIONS

DIMENSIONS

| | |
|---------------------------------------|-------------------------|
| A. Wheelbase | 2900 mm |
| B1. Width, front with asym cab | 2370 mm |
| B2. Width, rear | 1525 mm |
| B3. Width, front with ROPS or sym cab | 2100 mm |
| D. Drum diameter | 1500 mm |
| H. Height, with ROPS/cab | 2995 mm |
| K. Ground clearance | 310 mm |
| L. Length | 4850 mm |
| S. Drum shell thickness | front 20 mm /rear 22 mm |
| W1. Drum width, front | 570 mm |
| W2. Drum width, rear | 1060 mm |
| α . Steering angle | $\pm 34^\circ$ |

OPTIONAL EQUIPMENT

Air Conditioning /Automatic Climate Control (ACC) (Optional)

- The system contains fluorinated greenhouse gases.
- Coolant designation: HFC-134a
- Coolant weight when full: 1,6 kg
- CO₂-equivalent: 2,288 ton
- GWP: 1430

Find us locally at www.dynapac.com

We reserve the right to change specifications without notice. Photos and illustrations do not always show standard versions of machines. The above information is a general description only, all information's are supplied without liability.